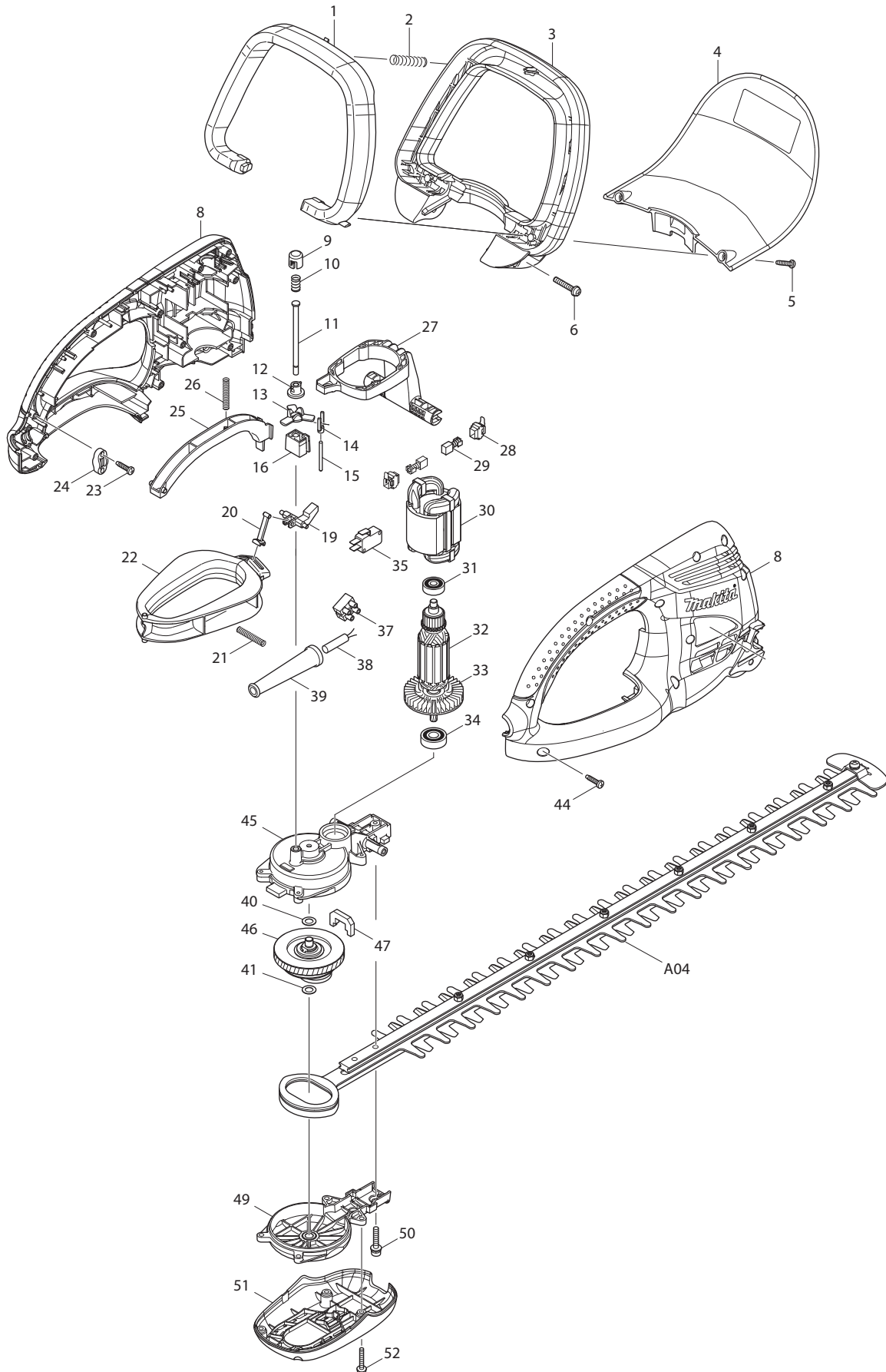




10 - 2010

UH6570

25-1/2" HEDGE TRIMMER



| Item No | Type | Sub  | Part No  | Description                             | Qty | Unit |
|---------|------|------|----------|---|-----|------|
| 001     |      |      | 450444-8 | SWITCH LEVER B                          | 1   | PC.  |
| 002     |      |      | 233157-4 | COMPRESSION SPRING 9                    | 1   | PC.  |
| 003     |      |      | 450442-2 | FRONT GRIP                              | 1   | PC.  |
| 004     | 1    |      | 158912-2 | PROTECTOR COMPLETE                      | 1   | PC.  |
|         | 2    |      | 141J43-4 | PROTECTOR COMPLETE                      | 1   | PC.  |
| 005     |      |      | 265995-6 | TAPPING SCREW 4X18                      | 2   | PC.  |
| 006     |      |      | 911253-5 | PAN HEAD SCREW M5X30                    | 2   | PC.  |
| 008     |      |      | 188567-9 | HOUSING SET                             | 1   | SET  |
| 009     |      |      | 417740-7 | INSULATION CAP                          | 1   | PC.  |
| 010     |      |      | 233288-9 | COMPRESSION SPRING 8                    | 1   | PC.  |
| 011     |      |      | 268077-3 | PIN 5                                   | 1   | PC.  |
| 012     |      |      | 417727-9 | CAP HOLDER                              | 1   | PC.  |
| 013     |      |      | 417736-8 | LIFTER                                  | 1   | PC.  |
| 014     |      |      | 417735-0 | PUSHER CAP                              | 1   | PC.  |
| 015     |      |      | 268237-7 | ROD 3                                   | 1   | PC.  |
| 016     |      |      | 417781-3 | PIN HOLDER                              | 1   | PC.  |
| 019     |      |      | 417737-6 | LINK                                    | 1   | PC.  |
| 020     |      |      | 417739-2 | ROD                                     | 1   | PC.  |
| 021     |      |      | 233156-6 | COMPRESSION SPRING 5                    | 1   | PC.  |
| 022     |      |      | 417731-8 | SWITCH LEVER C                          | 1   | PC.  |
| 023     |      |      | 265995-6 | TAPPING SCREW 4X18                      | 2   | PC.  |
| 024     |      |      | 687063-9 | CORD CLAMP (STRAIN RELIEF)              | 1   | PC.  |
| 025     |      |      | 450443-0 | SWITCH LEVER A                          | 1   | PC.  |
| 026     |      |      | 233156-6 | COMPRESSION SPRING 5                    | 1   | PC.  |
| 027     |      |      | 450488-8 | LEVER                                   | 1   | PC.  |
| 028     |      |      | 643935-8 | BRUSH HOLDER                            | 2   | PC.  |
| 029     | 2    |      | 195007-0 | CARBON BRUSH CB-407 2PC/SET, W/O ORIGIN | 1   | SET  |
| 030     |      |      | 621731-4 | FIELD 115V                              | 1   | PC.  |
| 031     |      |      | 211027-7 | BALL BEARING 627ZZ                      | 1   | PC.  |
| 032     |      |      | 515736-3 | ARMATURE ASSEMBLY 115V                  | 1   | PC.  |
|         |      | INC. | ---      | Item No. 31, 33, 34                     | 1   | PC.  |
| 033     |      |      | 241850-6 | FAN 60                                  | 1   | PC.  |
| 034     |      |      | 211062-5 | BALL BEARING 6000ZZ                     | 1   | PC.  |
| 035     | 2    |      | 650628-0 | SWITCH (OLD# 650608-6 - N/L/A)          | 1   | PC.  |
| 037     |      |      | 654531-7 | TERMINAL BLOCK 2P                       | 1   | PC.  |
| 038     |      |      | 660293-7 | CORD W/PLUG 2P-18-0.475M SJTW           | 1   | PC.  |
| 039     |      |      | 682503-2 | CORD GUARD 8-90                         | 1   | PC.  |
| 040     |      |      | 253215-0 | FLAT WASHER 8                           | 1   | PC.  |
| 041     |      |      | 253215-0 | FLAT WASHER 8                           | 1   | PC.  |
| 043     |      |      | 865757-8 | NAME PLATE F/UH6570                     | 1   | PC.  |
| 044     |      |      | 265995-6 | TAPPING SCREW 4X18                      | 10  | PC.  |
| 045     |      |      | 158625-5 | GEAR HOUSING COMPLETE                   | 1   | PC.  |
| 046     | 1    |      | 158624-7 | * GEAR COMPLETE                         | 1   | PC.  |
|         | 2    |      | 158623-9 | * GEAR COMPLETE                         | 1   | PC.  |
| 047     |      |      | 443142-1 | DUST GUARD                              | 1   | PC.  |
| 049     |      |      | 158626-3 | GEAR HOUSING COVER COMPLETE             | 1   | PC.  |
| 050     |      |      | 265182-7 | + PAN HEAD SCREW M5X25                  | 2   | PC.  |
| 051     |      |      | 450441-4 | UNDER COVER                             | 1   | PC.  |
| 052     |      |      | 911148-2 | PAN HEAD SCREW M4X25                    | 4   | PC.  |
| 100     |      |      | 654069-2 | RECEPTACLE                              | 2   | PC.  |
| 101     |      |      | 654163-0 | INSULATED RECEPTACLE 1.25-250A          | 2   | PC.  |
| 102     |      |      | 654207-6 | RECEPTACLE                              | 1   | PC.  |
| 103     | 1    |      | 158932-6 | WARNING CARD COMPLETE                   | 1   | PC.  |
|         | 2    |      | 144843-1 | WARNING CARD COMPLETE                   | 1   | PC.  |
| C01     |      |      | 820A32-5 | CARTON F/UH6570                         | 1   | PC.  |

| Item No  | Type | Sub  | Part No  | Description                     | Qty | Unit |
|--|------|------|----------|---------------------------------|-----|------|
| <b><u>ACCESSORIES</u></b> - See Catalogue or visit <a href="http://www.makita.ca">www.makita.ca</a> for more accessories - |      |      |          |                                 |     |      |
| A01  |      |      | 194677-2 | CORD HOLDER COMPLETE SET        | 1   | SET  |
| A02  |      |      | 158024-1 | HOOK COMPLETE                   | 1   | PC.  |
| A03  |      |      | 450490-1 | BLADE COVER, 0.828M             | 1   | PC.  |
| A04  | 1    |      | 194669-1 | * SHEAR BLADE ASSEMBLY SET      | 1   | SET  |
|  |      | INC. | 264013-7 | * HEX. LOCK NUT M5-8            | 7   | PC.  |
|  |      | INC. | 345205-8 | * BRUNCH CATCHER                | 1   | PC.  |
|  |      | INC. | 911208-0 | * PAN HEAD SCREW M5X10          | 1   | PC.  |
|  |      | INC. | 257766-5 | * SLEEVE 5                      | 9   | PC.  |
|  |      | INC. | 265181-9 | * +TRUSS HEAD SCREW M5X20       | 7   | PC.  |
|  |      | INC. | 188605-7 | * OIL VESSEL 3G, GREASE NA NO.2 | 1   | PC.  |
|  | 2    |      | 194666-7 | * SHEAR BLADE ASSEMBLY SET      | 1   | SET  |
|  |      | INC. | 264013-7 | * HEX. LOCK NUT M5-8            | 7   | PC.  |
|  |      | INC. | 345205-8 | * BRUNCH CATCHER                | 1   | PC.  |
|  |      | INC. | 911208-0 | * PAN HEAD SCREW M5X10          | 1   | PC.  |
|  |      | INC. | 257766-5 | * SLEEVE 5                      | 9   | PC.  |
|  |      | INC. | 265181-9 | * +TRUSS HEAD SCREW M5X20       | 7   | PC.  |
|  |      | INC. | 188605-7 | * OIL VESSEL 3G, GREASE NA NO.2 | 1   | PC.  |
| A05  |      |      | 194679-8 | ARM BAND COMPLETE SET           | 1   | PC.  |
| A06  |      |      | 194681-1 | CHIP RECEIVER ASSEMBLY SET      | 1   | PC.  |

**SERVICE CHANGES**

**1. Changes on Shear Blade Assy SET and Gear Complete (T/I#D8629)**

| Item No. | Description          | Type 1   | Type 2   |
|----------|----------------------|----------|----------|
| A04      | SHEAR BLADE ASSY SET | 194669-1 | 194666-7 |
| 46       | GEAR COMPLETE        | 158624-7 | 158623-9 |

Above parts are completely interchangeable as a set.